

RECEIVED
 AUG 21 2001
 BY: *[Signature]*

VERNON COUNTY
 CERTIFIED U.S. PUBLIC LAND SURVEY MONUMENT RECORD

INSTRUCTIONS: THIS RECORD SHALL SHOW THE LOCATION OF THE CORNER AND SHALL INCLUDE ALL OF THE FOLLOWING ELEMENTS (A-I)

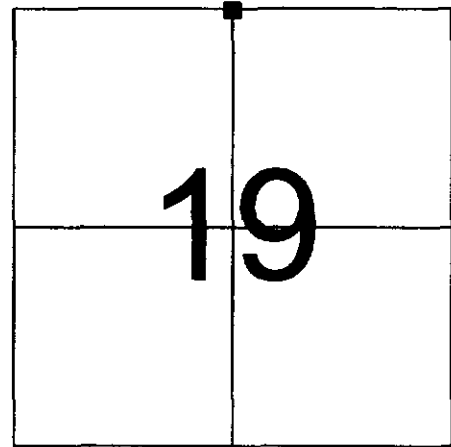
(A) IDENTIFY THE CORNER BY REFERENCE TO THE U.S. PUBLIC LAND SURVEY SYSTEM

■ = CORNER MONUMENT RESTORED

WITNESSES TO CORNER LOCATION:

- 1) PATRICK J. DEDERICH
- 2) JOHN E. DEDERICH

VERNON COUNTY COORDINATES
 NORTHING: 163,457.33
 EASTING: 667,604.14



SECTION 19, TOWN 13 NORTH, RANGE 5 WEST

(B) DESCRIBE ANY RECORD EVIDENCE, MONUMENT EVIDENCE, OCCUPATIONAL EVIDENCE, TESTIMONIAL EVIDENCE OR ANY OTHER MATERIAL EVIDENCE YOU CONSIDERED, AND WHETHER THE MONUMENT WAS FOUND OR PLACED.

FOUND 3/4" X 30" IRON ROD AS PER TIE SHEET DATED 7/6/95 BY ROBERT M. LAMPMAN. SET LUNDE MONUMENT.

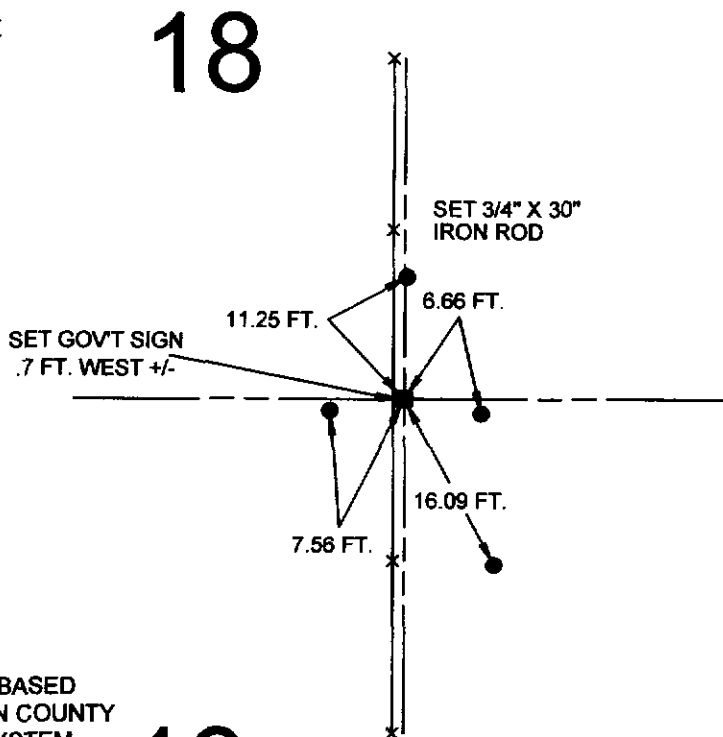
(C) IN THE PLAN VIEW DRAWING BELOW, PROVIDE REFERENCE TIES TO AT LEAST 4 WITNESS MONUMENTS OR, IF THE LOCATION IS WITHIN A MUNICIPALITY, TO AT LEAST 2 WITNESS MONUMENTS. (WITNESS MONUMENTS SHALL BE MADE OF CONCRETE, NATURAL STONE, IRON, OR OTHER EQUALLY DURABLE MATERIAL.) DESCRIBE WITNESS MONUMENTS.

(D) SHOW A PLAN VIEW DRAWING, DEPICTING THE RELEVANT MONUMENTS AND REFERENCE TIES, WHICH IS SUFFICIENTLY DETAILED TO ENABLE ACCURATE RELOCATION OF THE CORNER MONUMENT IF IT IS DISTURBED.

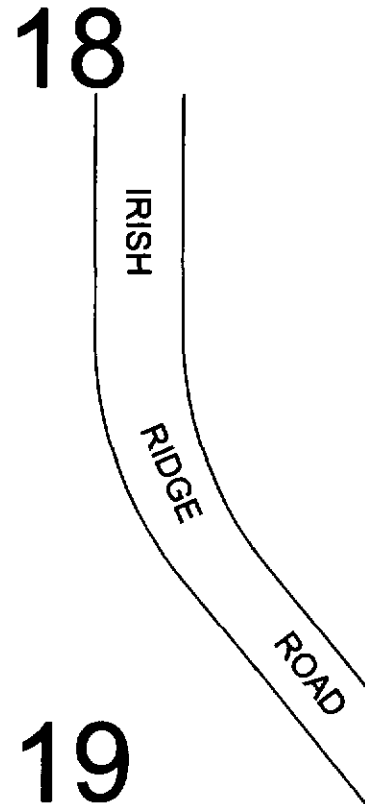
LEGEND

- 3/4" X 24" IRON ROD SET
- LUNDE MONUMENT
- └ 2" CHANNEL POST W/GOV'T SIGN

NOT TO SCALE



BEARINGS ARE BASED ON THE VERNON COUNTY COORDINATE SYSTEM



AUG 3 1995

CERTIFIED LAND CORNER

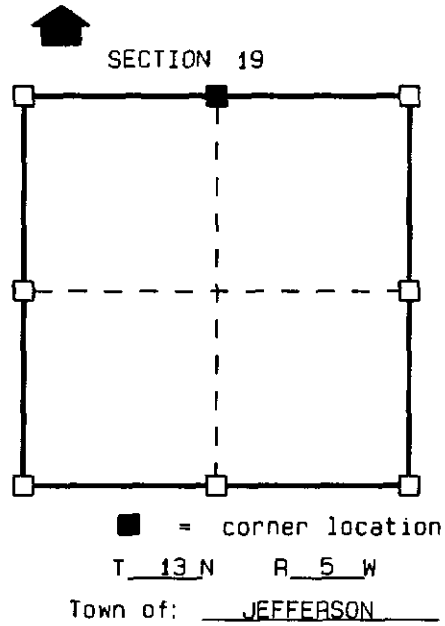
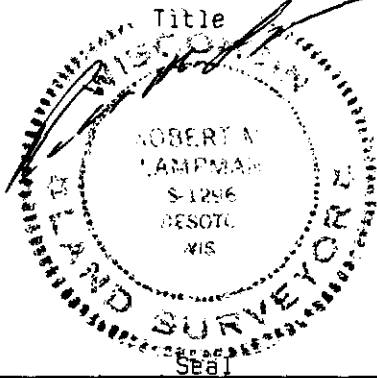
STATE OF WISCONSIN)
COUNTY OF VERNON) S.S.

CERTIFICATE

I, Robert M. Lampman do hereby certify that on the 12th day of June 1995, I found ~~no evidence~~ (no evidence) of the N 1/4 corner of SECTION 19, T13 N, R5 W, Fourth Principal Meridian, and I re-established said corner according to the Wisconsin Statutes as shown and described hereon.

Dated this 6th day of JULY 1995

Robert M. Lampman R.L.S. S-1296



History of original corner establishment:

ORIGINAL CORNER ESTABLISHED BY S.O.DIXON IN 1845.
C.M.STERLING MADE A SURVEY OF THE NORTH LINE OF SECTION 19 IN 1890.

Description of corner evidence found:

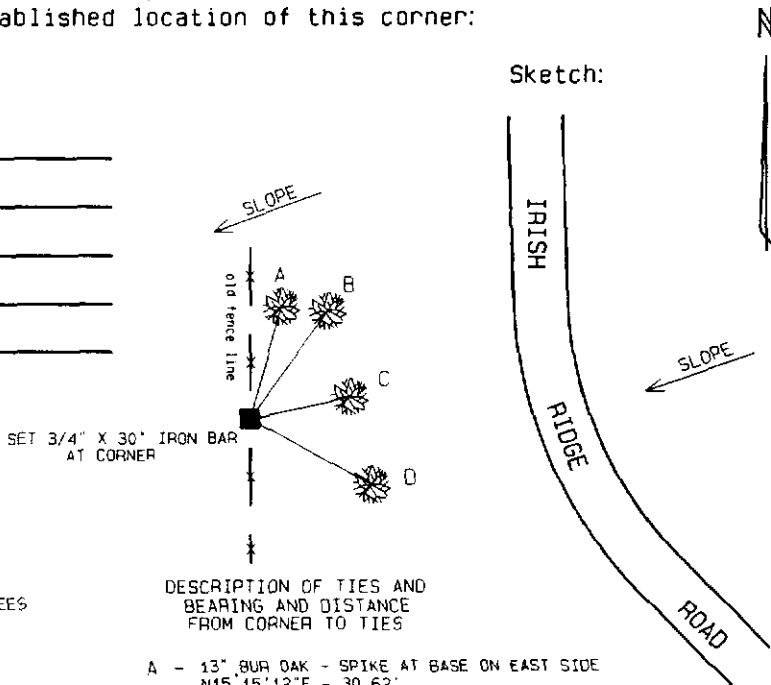
USED OCCUPATIONAL EVIDENCE AT THE CORNER AREA AND THROUGHOUT THE REMAINDER OF SECTION 19 TO ESTABLISH CORNER LOCATION.

Description of corner and witness monuments, references and accessories used to perpetuate the original or re-established location of this corner:

Witnesses to corner location:

ROBERT M. LAMPMAN
JESSICA A. ZAMOR

Sketch:



NOTE: BLAZED ALL BEARING TREES

DESCRIPTION OF TIES AND BEARING AND DISTANCE FROM CORNER TO TIES

- A - 13" BUR OAK - SPIKE AT BASE ON EAST SIDE
N15°15'12"E - 30.62'
- B - 10" BUR OAK - SPIKE AT BASE ON SOUTH SIDE
N35°10'56"E - 34.97'
- C - 9" BLACK OAK - SPIKE AT BASE ON SOUTH SIDE
N77°19'47"E - 26.59'
- D - 10" BUR OAK - SPIKE AT BASE ON SOUTH SIDE
S61°23'23"E - 35.89'

SURVEY CONTROL ORDER

Horizontal
Vertical

WISCONSIN COORDINATE SYSTEM

Corner	East (X)	North (Y)	Elevation (Z)	Zone
Control Sta. Name				

25