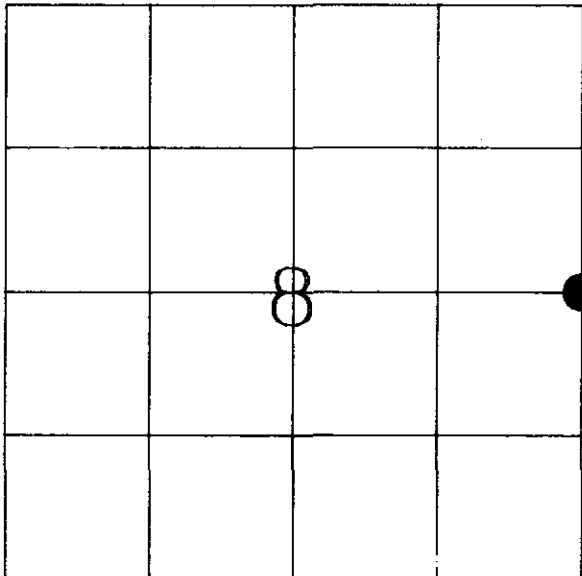

U. S. PUBLIC LAND SURVEY MOUMENT RECORD

SECTION 8, T.13N., R.5W., TOWN OF JEFFERSON,
VERNON COUNTY, WISCONSIN



LOCATION OF LANDMARK

WISCONSIN COORDINATE SYSTEM
North
East
Theta Angle
Horiz. Order
Vert. Order
TYPE OF LANDMARK:
Set 3/4" X 24" Iron Rod
BEARINGS ARE REFERENCED TO:
Assumed

Crew: Rodney H. Maxwell
Dwayne M. Hefner
Laurence E. Johns III

Date: 18 November 1997

Describe any record evidence, monument evidence, testimonial evidence or any other material evidence you considered and whether the monument was found or restored through acceptance of an obliterated evidence location.

Accepted fence corner as best available evidence. Location also fit well with USGS map location.

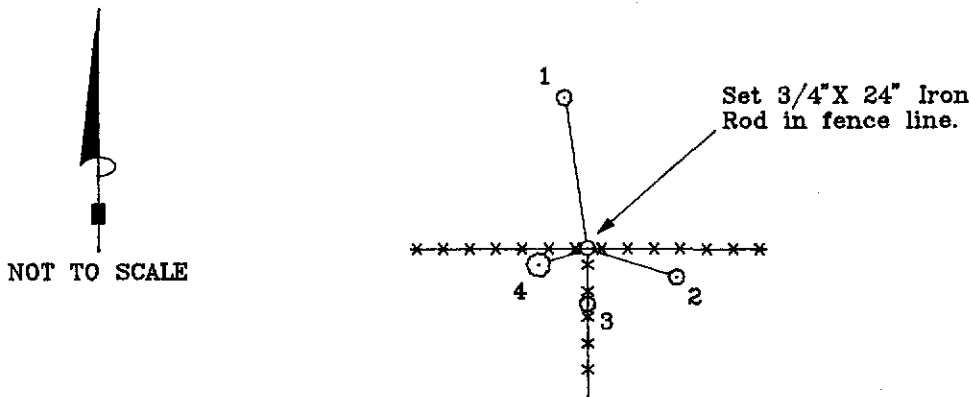
Describe or show any material discrepancy between the location of the restored corner and that of the corner previously restored or reestablished.

No record of corner being restored since a original government survey.

RECORD OF DURABLE WITNESS MONUMENTS

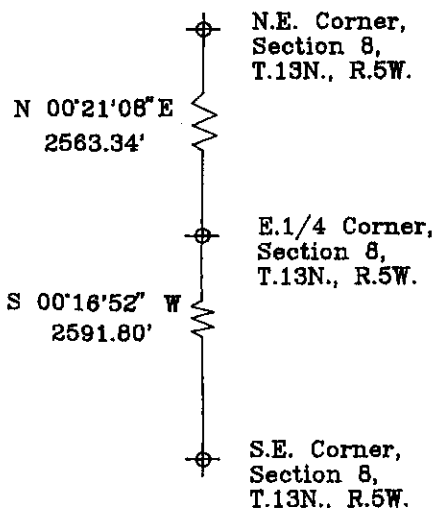
NO.	DESCRIPTION	BEARING	DISTANCE
1	6" Burr Oak	N 20° W	37.7'
2	4" Hickory	S 85° E	24.4'
3	4" Shag Hickory in fence line	South	6.2'
4	6" Poplar	S 87° W	3.3'

** All trees double hacked.



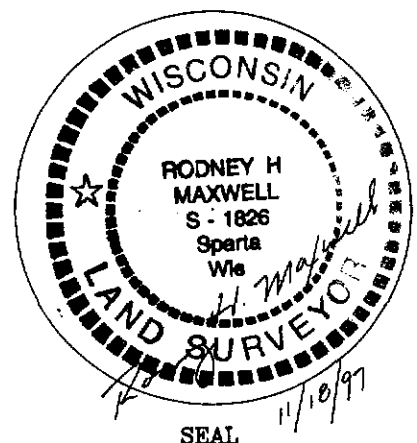
PLAN VIEW DRAWING OF REFERENCE TIES

MAP SHOWING DISTANCE AND DIRECTION TO OTHER PUBLIC LAND SURVEY CORNERS USED FOR REESTABLISHING THE CORNER



I, RODNEY H. MAXWELL, REGISTERED LAND SURVEYOR, HEREBY CERTIFY THAT THE CORNER LOCATION SHOWN ON THIS RECORD WAS DETERMINED BY ME OR UNDER MY DIRECTION AND CONTROL, AND THAT THIS U. S. PUBLIC LAND SURVEY MONUMENT RECORD IS CORRECT AND COMPLETE TO THE BEST OF MY KNOWLEDGE AND BELIEF.

Rodney H. Maxwell
 Rodney H. Maxwell
 Maxwell Surveying
 7457 Highway 16, Suite C
 Sparta, Wisconsin



SEAL