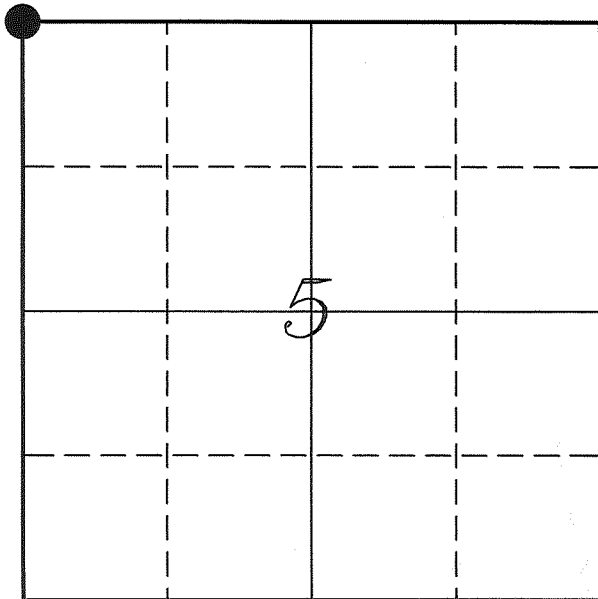


U. S. PUBLIC LAND SURVEY MONUMENT RECORD

SECTION 5, T13N, R5W, TOWN OF JEFFERSON VERNON COUNTY, WISCONSIN



LOCATION OF LANDMARK

Crew: Laurence E Johns III
Larry Handschy

Date: 26 April 2010

VERNON COUNTY COORDINATE SYSTEM	
Northing	178723.970
Easting	670229.600
Datum	NAD 1983 (2007)
Elevation	
Datum	
TYPE OF LANDMARK:	
Set Lunde Monument	
BEARINGS ARE REFERENCED TO:	
Vernon County Coordinates	

Describe any record evidence, monument evidence, testimonial evidence or any other material evidence you considered and whether the monument was found or restored through acceptance of an obliterated evidence location.

No bearing trees of record were located.

Corner lands within the right-of-way of Stafslien Road.

I set the corner at the offset distance of 10.56' East from the SW Corner of Section 32, as shown in the government notes.

With no other evidence available, I accepted this location as the best available evidence of the original government corner.

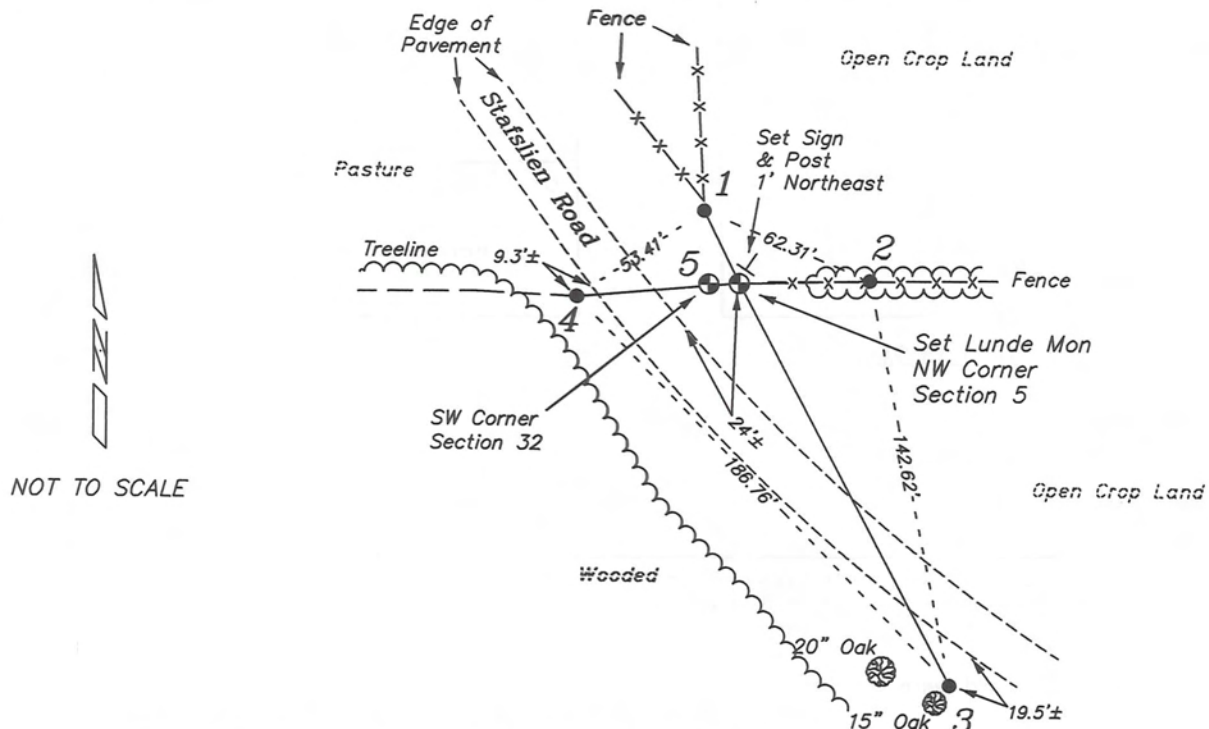
Describe or show any material discrepancy between the location of the restored corner and that of the corner previously restored or re-established.

Samuel Dixon established this corner in July 1845.

C M Sterling was here, in March 1896, during a survey in Section 5. He states he found Kowner's corner from an earlier survey.

RECORD OF DURABLE WITNESS MONUMENTS

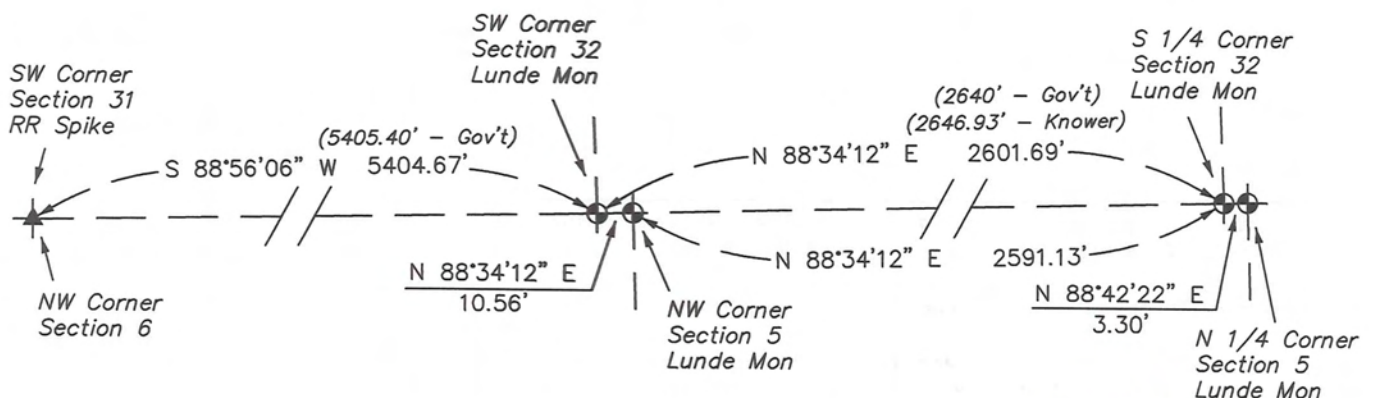
NO	DESCRIPTION	BEARING	DISTANCE
1	Set 3/4" x 18" Iron Rod South Side of Fence Post	N 25°50'40" W	27.92'
2	Set 3/4" x 18" Iron Rod In Fence Line	N 88°34'23" E	45.34'
3	Set 3/4" x 18" Iron Rod Northeast Side of a 15" Oak	S 28°01'24" E	157.03'
4	Set 3/4" x 18" Iron Rod North Side of Fence Post	S 85°11'13" W	56.64'
5	Lunde Monument NW Corner - Section 5	S 88°34'12" W	10.56'



PLAN VIEW DRAWING OF REFERENCE TIES

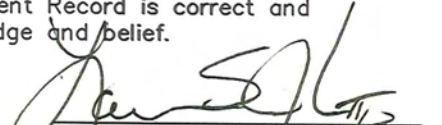
Map Showing Distance And Direction To Other Public Land Survey
Corners Used For Re-Establishing The Corner

T 14 N - R 5 W



T 13 N - R 5 W

I, Laurence E Johns III RLS 2804, Registered Land Surveyor, hereby certify that the corner location shown on this record was determined by me or under my direction and control, and that this U.S. Public Land Survey Monument Record is correct and complete to the best of my knowledge and belief.

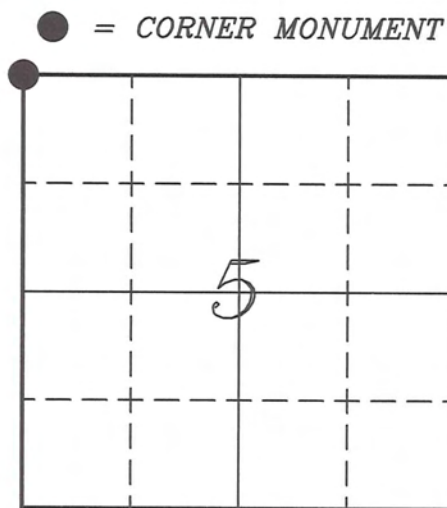

 Laurence E Johns III RLS 2804
 Eagle Ridge Surveying, LLC
 PO Box 213
 Wilton, Wisconsin
 26 April 2010



VERNON COUNTY COORDINATE SUBMISSION FORM
"As An Addendum To"
VERNON COUNTY
CERTIFIED U.S. PUBLIC LAND SURVEY MONUMENT RECORD

INSTRUCTIONS: THIS RECORD FORM SHOULD BE USED WHEN COORDINATES ARE PROVIDED FOR A PUBLIC LAND SURVEY CORNER AND SHALL INCLUDE ALL OF THE FOLLOWING ELEMENTS (A-D)

(A) IDENTIFY THE CORNER BY REFERENCE TO THE U.S. PUBLIC LAND SURVEY SYSTEM IN DIAGRAM AT RIGHT



(B) COORDINATES:

GEOGRAPHIC (Degrees Minutes Seconds)

LATITUDE: 43° 38' 14.2779" N

LONGITUDE: 91° 00' 32.7374" W

ELLIPSOID HT (m): _____

DATUM: NAD 1983 (2007)

GEOID03 ADJ: -32.320

ORTHOMETRIC HT: _____

T 14 N, R 5 W

VERNON COUNTY (U.S. FEET)

Coord Quality (+/-)

NORTHING (Y): 178723.970 _____

EASTING (X): 670229.600 _____

GPS METHOD USED TO COMPUTE COORDINATES (check as applicable)

- RTK Observations Static Baselines OPUS-RS Solution OPUS-S Solution
 Combination of GPS Observations & Conventional Procedures

Was a Least Squares Adjustment Used to Compute Coordinates? Yes / No

BASE CONTROL USED FOR COORDINATE COMPUTATION

Station Name	Station Coordinates	Date/Time
<u>OPUS Control - CN32</u>	<u>43° 38' 27.6640" N 90° 59' 58.3490" W</u> <u>N - 180072.708 E - 672762.114</u>	<u>04/25/2010 - 12:53</u>
<u>Same</u>		<u>04/26/2010 - 12:36</u>

(C) REASON FOR COORDINATES SUBMITTAL (check one)

- Being Filed With a New U.S. PLS Monument Record
 To Correct the Coordinates Listed on a Previously Filed PLS Monument Record
 To Provide Coordinates for Previously Filed PLS Monument Record without Coordinates
 To Provide Supplemental Coordinates for a Previously Filed PLS Monument Record

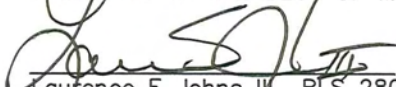
MOST RECENT PLS MONUMENT RECORD DATE:

R.L.S. WHO CREATED MOST RECENT PLS MONUMENT RECORD:

(D) AGENT(S) PERFORMING GPS OBSERVATIONS & COORDINATE COMPUTATION

- 1) LAURENCE E JOHNS III
 2) _____

I, LAURENCE E JOHNS III RLS 2804, REGISTERED LAND SURVEYOR, HEREBY CERTIFY THAT THE COORDINATES PROVIDED ON THIS RECORD WERE DETERMINED BY ME OR UNDER MY DIRECTION AND CONTROL AND THAT THIS COORDINATE SUBMISSION FORM IS CORRECT AND COMPLETE TO THE BEST OF MY KNOWLEDGE AND BELIEF.


 Laurence E Johns III RLS 2804
 Eagle Ridge Surveying, LLC
 PO Box 213
 Wilton, Wisconsin
 26 April 2010

