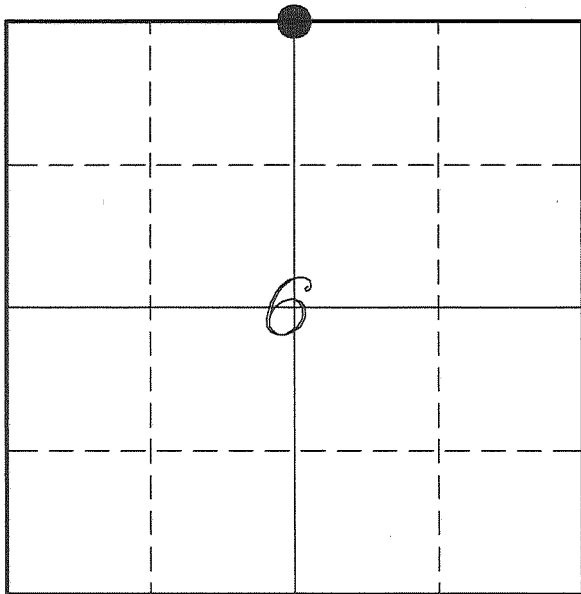


U. S. PUBLIC LAND SURVEY MONUMENT RECORD

SECTION 6, T13N, R1W, TOWN OF UNION
VERNON COUNTY, WISCONSIN



LOCATION OF LANDMARK

VERNON COUNTY COORDINATE SYSTEM	
Northing	179299.910
Easting	793910.052
Datum	NAD 1983 (2011)
Elevation	
Datum	
TYPE OF LANDMARK:	
Set 1 1/4" x 18" Iron Rod	
BEARINGS ARE REFERENCED TO:	
Vernon County Coordinates	

Witnesses: Laurence E Johns III
Larry Handschy

Eagle Ridge Surveying
PO Box 213
Wilton, Wisconsin

Date: 11 October 2016

Describe any record evidence, monument evidence, testimonial evidence or any other material evidence you considered and whether the monument was found or restored through acceptance of an obliterated evidence location.

No bearing trees of record were located.

I found the railroad spike as shown on Carroll's tie sheet.

The railroad spike has been used for the N 1/4 Corner of Section 6 and for the S 1/4 Corner of Section 31.

After some measurements and checking the plat of Valley, I determined that the railroad spike would best fit the N 1/4 Corner of Section 6.

The distance to the West matches Knower's very well. Though the distance to the East is about 18' short

The railroad spike also matches occupation in Section 6 very well.

I accepted the railroad spike as the corner that was established by Knower and replaced it with an 1 1/4" iron rod.

Describe or show any material discrepancy between the location of the restored corner and that of the corner previously restored or re-established.

This corner was not established during the original government survey.

Wm Knower was at this corner, in October 1882, during a survey in Section 6. He shows that he established this corner by proration.

Wm Knower was at the S 1/4 Corner of Section 31, in July 1892, when he created the Plat of Valley.

James Carroll was at this corner, in November 1995, during a survey in Section 6. He shows that he set a railroad spike.

Patrick Carroll was at this corner, in October 1999, during a survey in Section 6. He used the railroad spike and prepared a tie sheet.

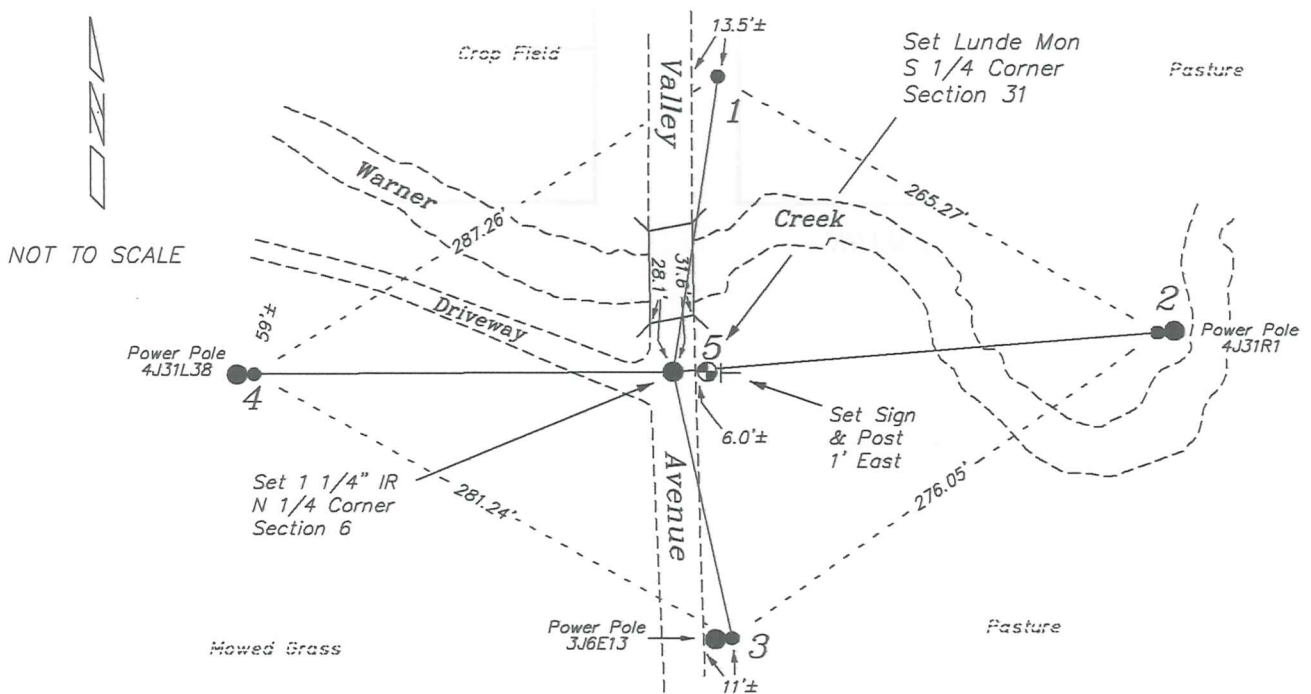
Patrick Carroll was at this corner several times between 1999 and 2015. He used the railroad spike each time.

Gregory Fauerbach was at this corner, in February 2006, during a survey in Section 6. He shows finding a railroad spike.

Ronald Jasperson shows this corner on a tie sheet for the NW Corner of Section 5.

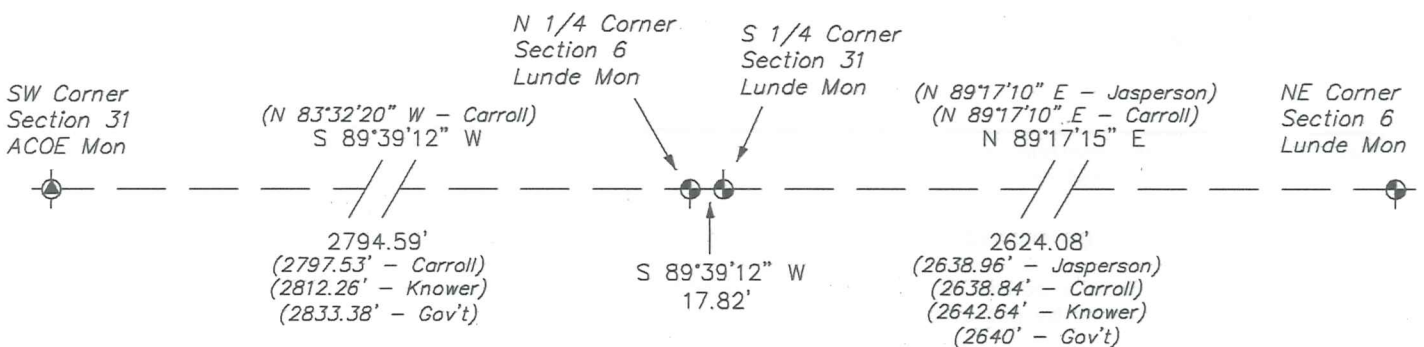
RECORD OF DURABLE WITNESS MONUMENTS

NO	DESCRIPTION	BEARING	DISTANCE
1	Set 3/4" x 18" Iron Rod 1' North of a Wood Fence Post	N 08°34'13" E	156.23'
2	Set 3/4" x 18" Iron Rod 1' West of Power Pole 4J31R1	N 85°18'03" E	253.22'
3	Set 3/4" x 18" Iron Rod 1' East of Power Pole 3J6E13	S 12°36'21" E	142.14'
4	Set 3/4" x 18" Iron Rod 1' East of Power Pole 4J31L38	S 89°38'11" W	218.02'
5	Lunde Monument S 1/4 Corner - Section 31	N 89°39'12" E	17.82'



PLAN VIEW DRAWING OF REFERENCE TIES

Map Showing Distance And Direction To Other Public Land Survey Corners Used For Re-Establishing The Corner



Note:
ACOE - Army Corps of Engineers

I, Laurence E Johns III PLS 2804, Professional Land Surveyor, hereby certify that the corner location shown on this record was determined by me or under my direction and control, and that this U.S. Public Land Survey Monument Record is correct and complete to the best of my knowledge and belief.

LAURENCE E. JOHNS III
 S-2804
 WILTON, WISCONSIN
 LAND SURVEYOR
 8 Dec 16

VERNON COUNTY

Survey Monument Record

TYPE OF MONUMENT: RR SPIKE F.I.P.

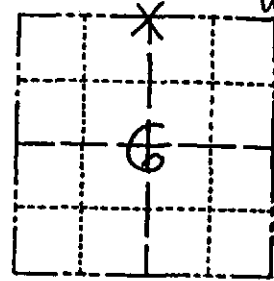
STATE PLANE COORDINATES: N _____
E _____

ELEVATION — M.S.L. DATUM: _____

THETA ANGLE: _____

FIELD BOOK: _____ PAGE _____

CORNER NO. _____
SECTION 6
TOWN 13 N
RANGE R1 W
UNION



LOCATION
(Indicated by 'X')

SEAL:



BASIS FOR MONUMENT LOCATION

(Use reverse side if necessary)

Show info such as: History of corner, with reference to Vol. and pg. dates, surveyor; exact description of monument replaced; if location computed, by taped or EDM traverse; landowner remarks, etc.

RR SPIKE WAS FOUND IN PLACE AND ACCEPTED AS THE N¹/₄ CORNER OF SECTION 6. NOTE: THIS RR SPIKE WAS SET BY JAMES CARROLL ON A CSM DATED 11/20/95.

CERTIFIED, CORRECT:

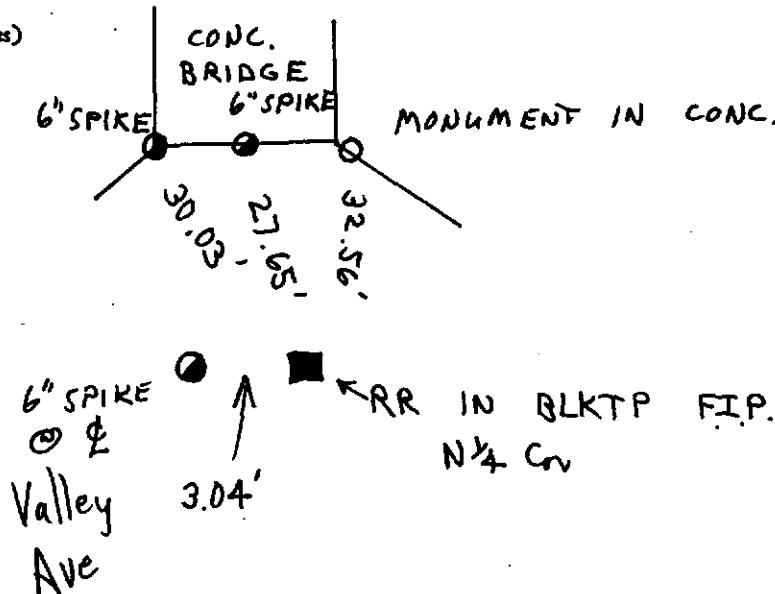
Patrick A. Carroll

Registered Land Surveyor

DATE: 10/9/99

TIE SKETCH

(Show at least four ties)



①